



TRO
CEL
LEN

INSULATION

TROCELLEN PRO

Thermal Pipe Insulation

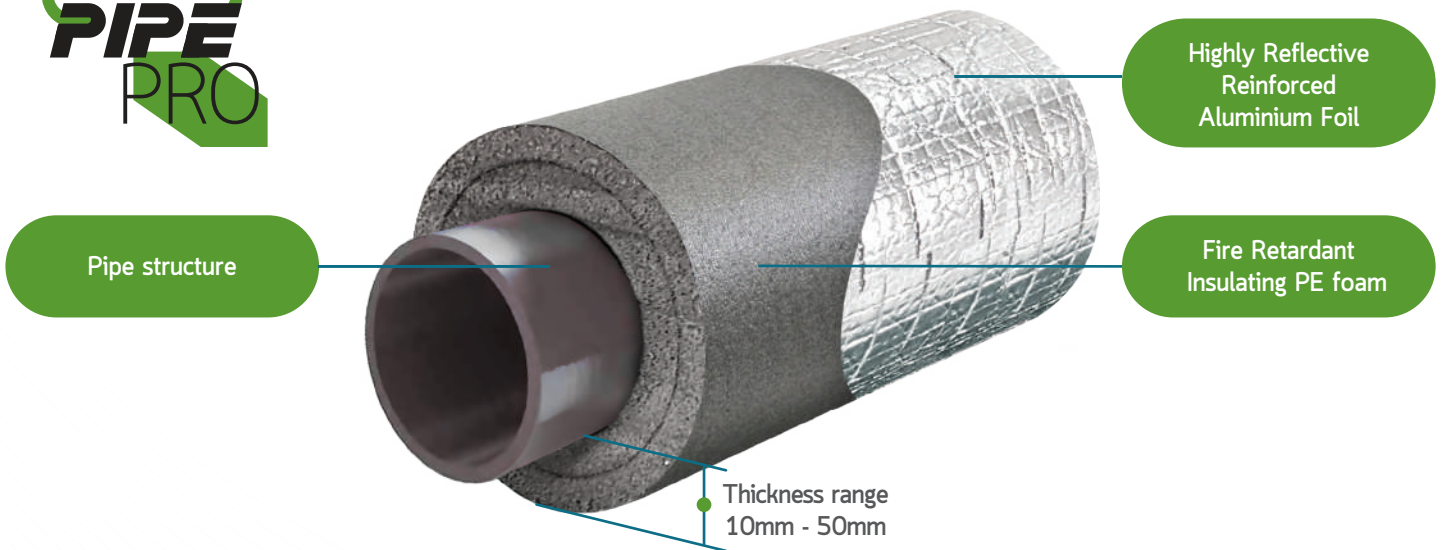
BS 476 Part 6 & 7 Class 0
MS 2095 Certified

TROCELLEN PIPEPRO™



Trocellen PipePro is specially engineered to help reduce heat transfer by creating an insulation barrier between your piping system and the atmosphere in order to prevent moisture condensation. The low thermal conductivity properties of Trocellen PipePro also helps reduce energy loss, allowing the piping system to work more efficiently with less energy usage. The closed-cell nature of Trocellen PipePro means it is naturally water resistant, preventing the growth of fungi. All Trocellen PipePro products are certified under the stringent fire safety test of BS 476 Part 6 & 7 standard, in which we have achieved the highest rating of Class 0.

Tested under **BS 476 part 6 & 7** with **Class 0**



Pipe Nominal Size		PipePro Internal Diameter (ID)	PipePro Thickness								PipePro Length
Inches	DN	mm	mm								m
1	25	36	10	15	20	25	30	40	50	2	
2	50	63	10	15	20	25	30	40	50		
2 ½	65	76	10	15	20	25	30	40	50		
3	80	92	10	15	20	25	30	40	50		
4	100	117	10	15	20	25	30	40	50		
5	125	144	10	15	20	25	30	40	50		
6	150	171	10	15	20	25	30	40	50		
8	200	222	10	15	20	25	30	40	50		
10	250	276	10	15	20	25	30	40	50		
12	300	327	10	15	20	25	30	40	50		

Various fittings & conversions

The pre-formed tube shape and lightweight nature of **Trocellen PipePro** means it can be easily slipped over pipes, allowing for a quick and easy installation. Plus, the excellent formability of PE foam allows it to be easily converted into tees and elbow joints of your piping system, making it extremely versatile to fit any of your projects. Saving you both time and cost.

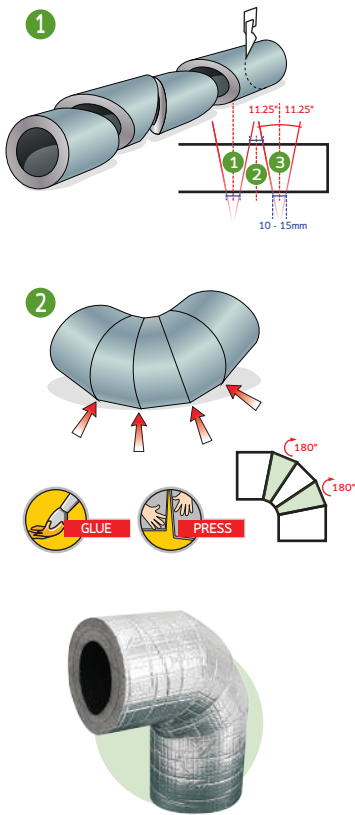
Installation guide & video



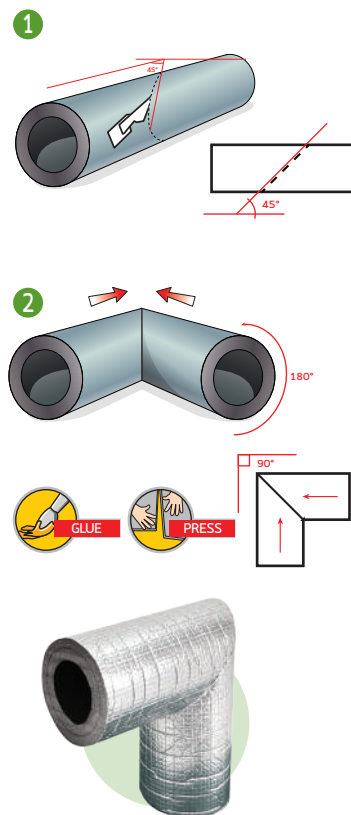
Refer to our installation guide and videos for more detailed steps on the fitting and conversion.



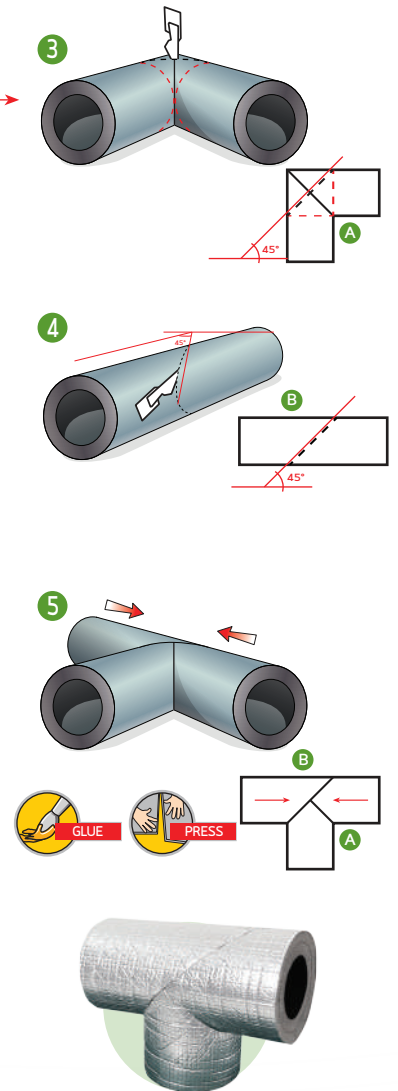
CURVED



RIGHT-ANGLED



T-JOINT



Installation accessories

It is important to properly glue and seal installation work for best results, avoiding large losses of energy. A good bond would ensure durability and resistant to weathering.



We recommend using **contact adhesive** glue for our PipePro installation. Contact adhesive is a synthetic polymer-based glue which is ideal for bonding PE foam together. It can be easily purchased from your local hardware store.



To seal the PipePro connecting joints, we recommend using our **Trocellen DuraSeal** foil tape which are made with acrylic adhesive as opposed to rubber adhesive. This will not only allow for a stronger bond but also a much greater longevity once they cure and stick to the surface of Trocellen PipePro.



REV. DATE: 2023

TECHNICAL DATA		TEST STANDARD	UNIT	TROCELLEN PipePro
BARE FOAM				
DENSITY		ISO 845	Kg/m ³	25 - 33
TENSILE STRENGTH	Longitudinal Transversal	ISO 1798	Mpa Mpa	0.28 0.19
ELONGATION AT BREAK	Longitudinal Transversal	ISO 1798	% %	100 120
COMPRESSION STRESS STRAIN AT DEFLECTION	25% 50%	ISO 3386	KPa KPa	30 79
COMPRESSION SET (22h 25% 23°C) AFTER COMPRESSION RELEASE	24hr	ISO 1856	%	< 10
FOAM LAMINATED WITH REINFORCED ALUMINIUM FOIL				
TEAR STRENGTH	Longitudinal Transversal	DIN 53507	N/mm N/mm	0.9 0.9
OPERATING TEMPERATURE RANGE		-	°C	-40 to 100
DIMENSIONAL STABILITY		DIN 53431	°C	100
EMISSIVITY OF FOIL FACE		ASTM C 1371	-	≤ 0.05
THERMAL CONDUCTIVITY	24°C 49°C	ASTM C335	W/mK	0.040 0.045
OZONE DEPLETING SUBSTANCES (NAMELY CFCs, HCFCs, HBFCs)		US EPA 5021A (MDL 1PPM)	-	NOT DETECTED
GREEN STAR SPECIFICATION - TOTAL VOC EMISSION RATE		ASTM D 5116	-	LOW VOC EMITTING (< 0.5 mg/m ² /hr)
VOLATILE ORGANIC COMPOUNDS (VOCs)		US EPA 5021A (MDL 1PPM)	-	NOT DETECTED
RESISTANCE TO FUNGI		ASTM G 21	-	ZERO GROWTH
FIRE BEHAVIOUR				
FIRE RATING		BS 476 PART 6 & 7	-	CLASS 0
MAXIMUM SPECIFIC OPTICAL SMOKE DENSITY		ISO 5659-2	-	Ds (MAX) < 50
STORAGE				
STORE IN COOL AND DRY CONDITION, OUT OF DIRECT SUNLIGHT.				

The data and information represented above are intended as general guide only and are not construed as specification limits.

All the above information is given in good faith and in accordance with our knowledge and experience. Any written and illustrated application instructions are without legal obligation and do not relieve you from testing and confirming the goods with regard to their suitability for the intended application, use or conversion. The high quality of our products is guaranteed according to our general sales condition.



Cert no: MY02/20014



Cert no: MY05/0153

Certified to: MS2095:2022
Certification no: PC002745