



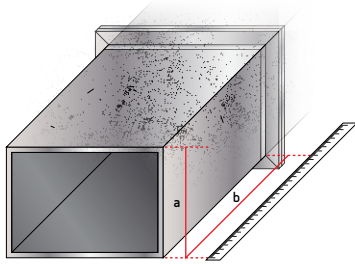
# TROCELLEN CLASSIC INSTALLATION PROCESS

## AIR DUCT INSULATION

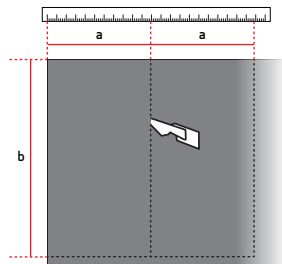
### A. CUT SECTION

thickness above 20mm

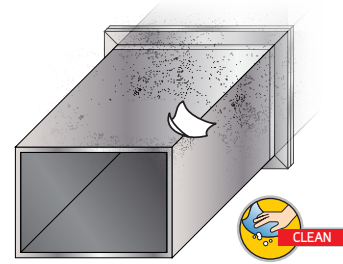
● PE foam    ● Adhesive



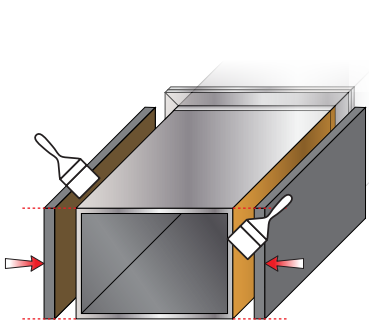
1 Measure the height & length of the side of the duct



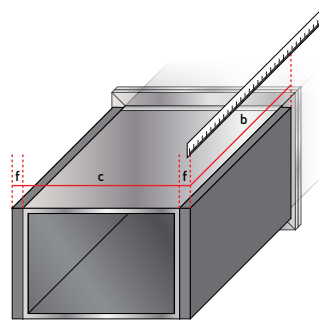
2 Cut the Trocellen Classic to the required size with utility knife



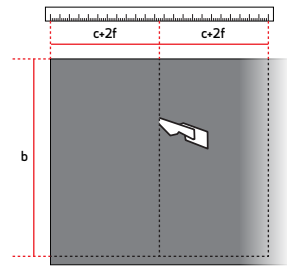
3 Clean the duct to avoid dust & dirt



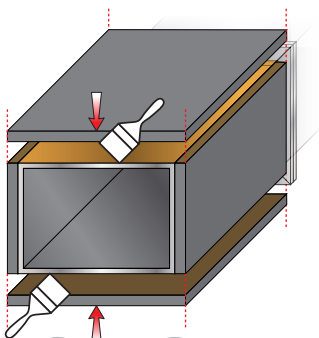
4 Apply contact adhesive evenly on duct surface & PE foam sheet. Wait for 2-3 mins. until glue is tack dry. Position to the edge & press firmly on the duct to avoid air gap



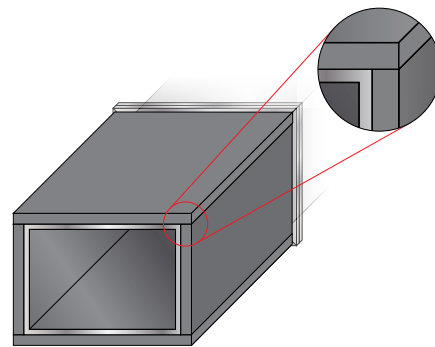
5 Measure the duct's length & width, plus the thickness of the applied foam on both sides



6 Cut the Trocellen Classic to the required size with utility knife



7 Apply adhesive evenly on duct surface & PE foam sheet. Wait for 2-3 mins. until glue is tack dry. Position to the edge & press firmly on the duct to avoid air gap



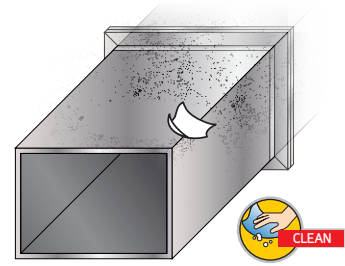
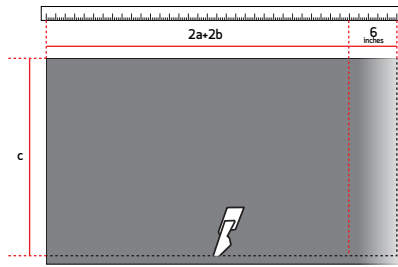
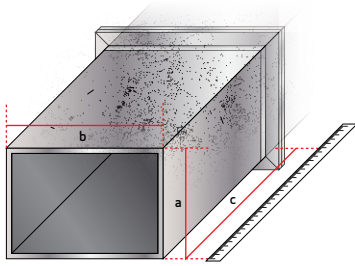
8 Ensure 90° straight joint of the PE foam. The joints must fully sealed with glue to avoid any potential air gap

# AIR DUCT INSULATION

## B. WRAP-AROUND

thickness of 20mm & below

● PE foam ● Adhesive

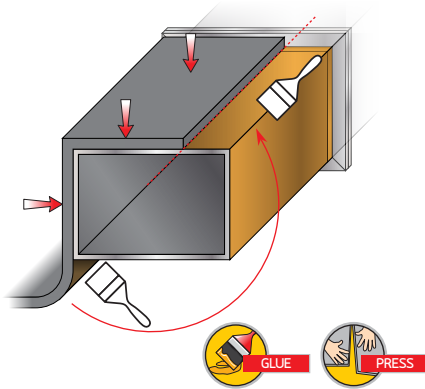


1 Measure the height, width & length of the the duct

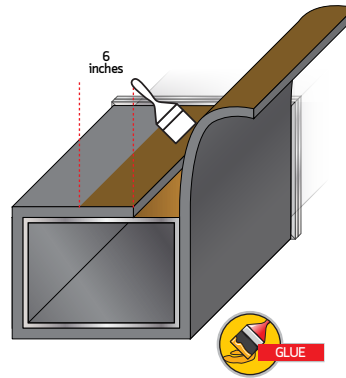


2 Cut the Trocellen Classic to the required size to wrap around the duct, allow excess of approximately 6 inches for overlapping at the meeting point

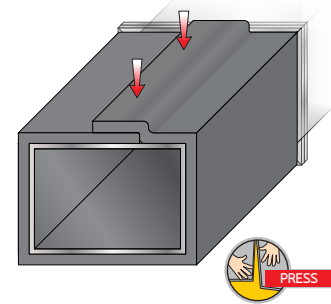
3 Clean the duct to avoid dust & dirt



4 Apply contact adhesive evenly on duct surface & PE foam sheet. Wait for 2-3 mins. until glue is tack dry. Position the foam 1/3 away from the edge. Press firmly & progressively while wrapping the duct to avoid air gap



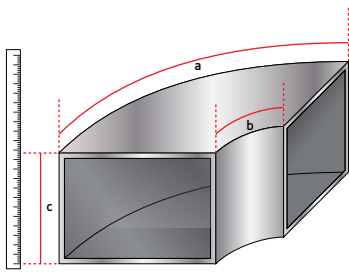
5 Apply contact adhesive on the overlapping point. Wait for 2-3 mins. until glue is tack dry



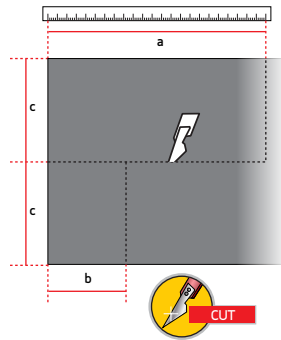
6 Press firmly on the overlapping point to avoid air gap

# ELBOW DUCT INSULATION

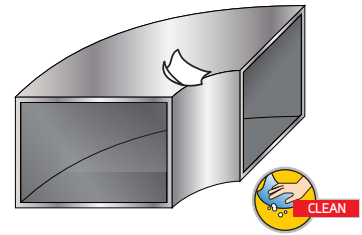
● PE foam    ● Adhesive



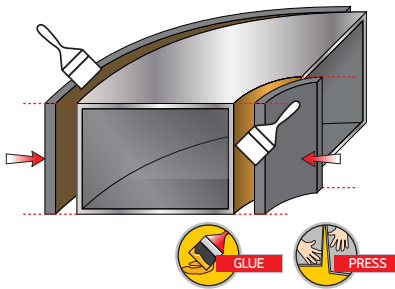
1 Measure the height & length for both sides of the duct



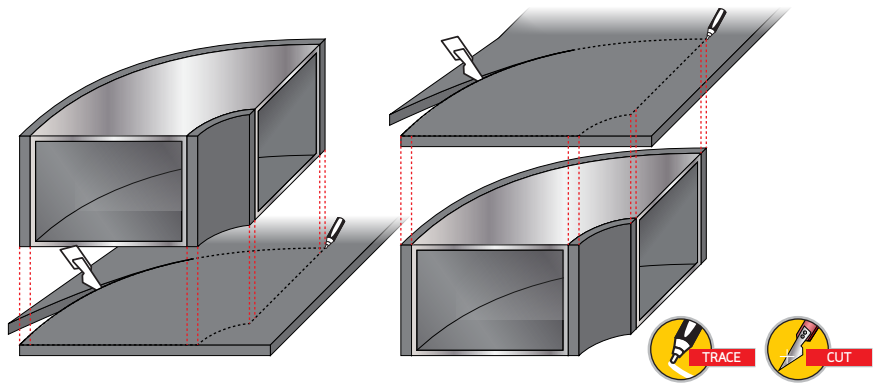
2 Cut the Trocellen Classic to the required size with utility knife



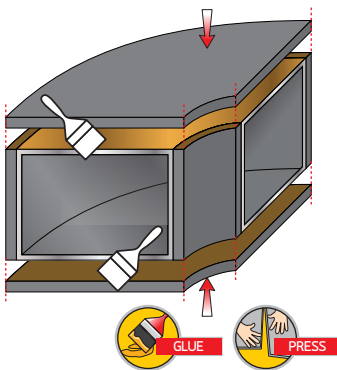
3 Clean the duct to avoid dust & dirt



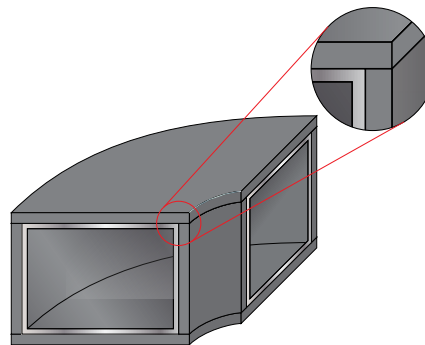
4 Apply contact adhesive evenly on duct surface & PE foam sheet. Wait for 2-3 mins. until glue is tack dry. Position to the edge & press firmly on the duct to avoid air gap



5 Trace the bottom and top surface of the duct onto a Trocellen Classic sheet. Cut along the marked lines with utility knife



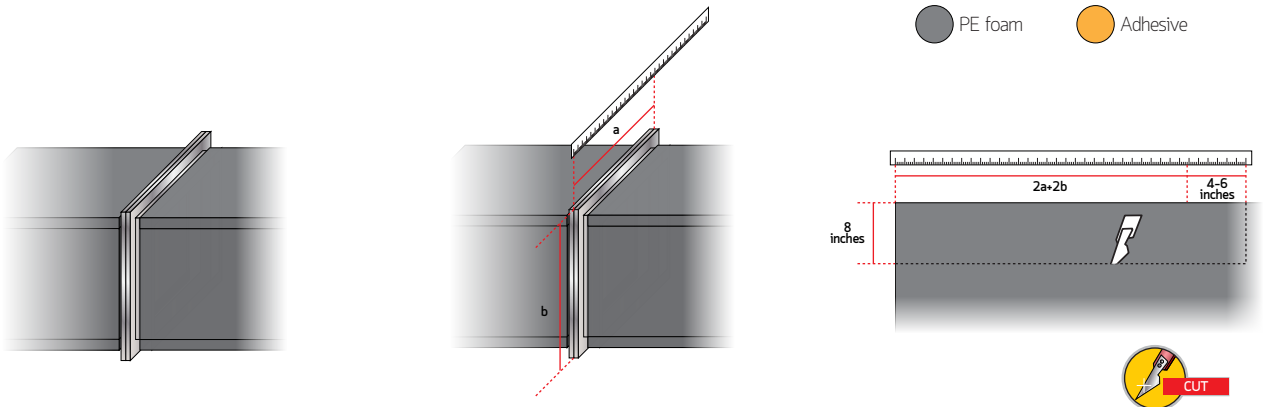
6 Apply contact adhesive evenly on duct surface & PE foam sheet. Wait for 2-3 mins. until glue is tack dry. Position to the edge & press firmly on the duct to avoid air gap



7 Ensure 90° straight joint of the PE foam. The joints must fully sealed with glue to avoid any potential air gap

# T.D.C. JOINT INSULATION

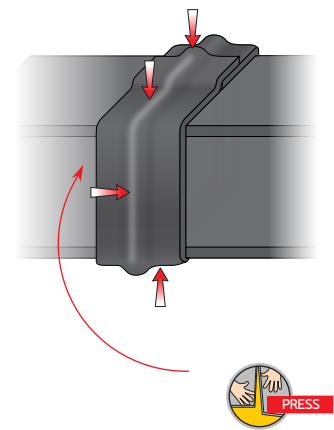
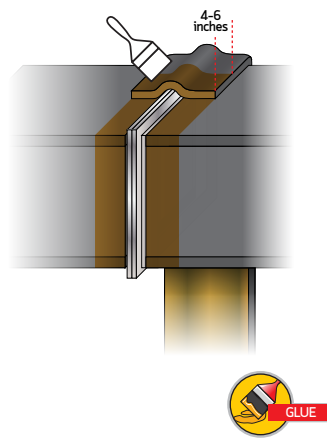
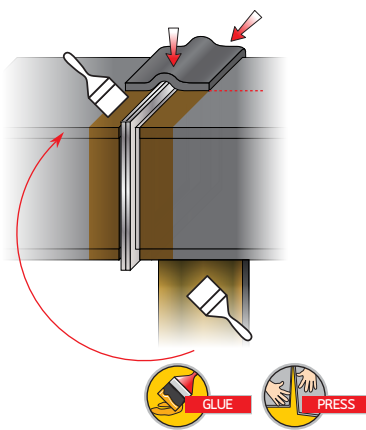
● PE foam ● Adhesive



1 Ensure that the body of the duct on both sides of the joint are already insulated

2 Measure the height & width of the the T.D.C. joint

3 Cut the **Trocellen Classic** to the required size to wrap around the joint, allow excess of approximately 4 to 6 inches for overlapping and 8 inches for the width



4 Glue the sides of the joint and the foam side of the previously cut strip, align the strip from the top 1/3 away from the edge once the glue is tack dry

5 Apply adhesive on the overlapping point of the strip

6 Install the strip by pressing firmly & progressively while wrapping the joint to avoid air gap